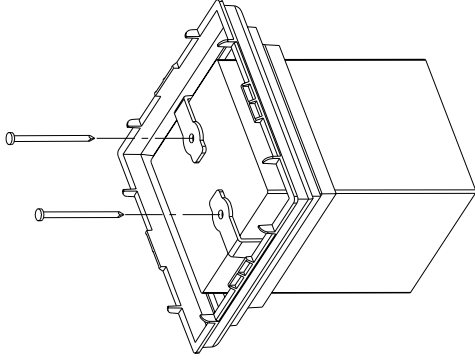
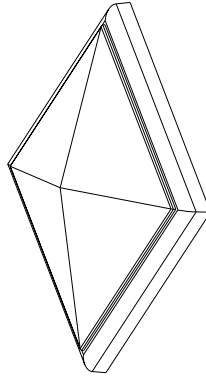


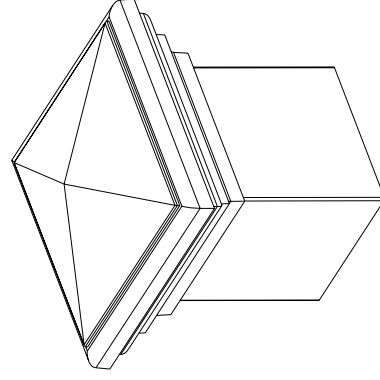
**STEP 1**  
PRESS BASE ONTO POST UNTIL  
NAIL TABS ARE FLUSH TO TOP  
SURFACE OF POST.



**STEP 2**  
INSTALL NAILS INTO BOTH  
NAIL TAB HOLES.



**STEP 3**  
PRESS CAP ONTO BASE UNTIL  
ALL 4 SNAPS ARE ENGAGED.



**FINAL ASSEMBLY**